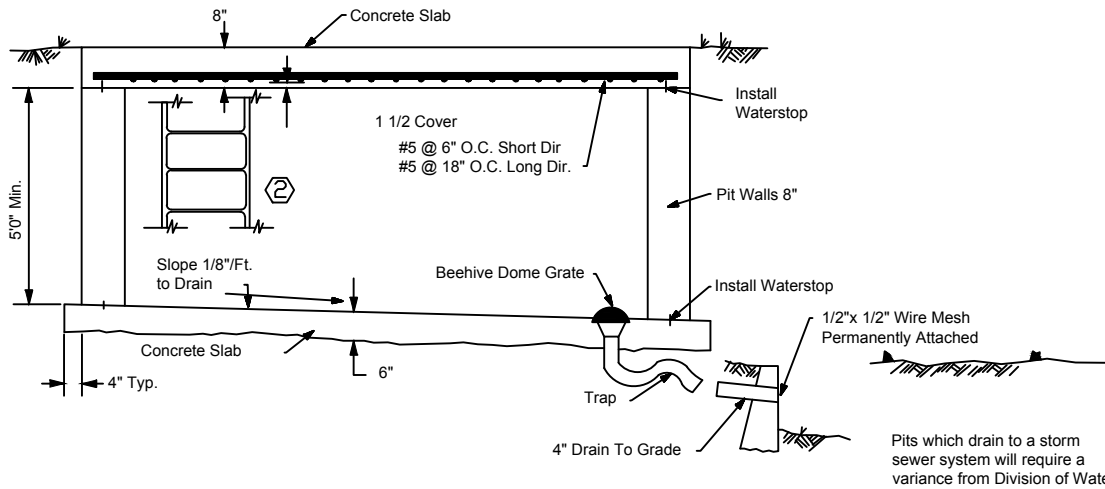


### DRAWING NOTES

- ① (2) #5 Reinforcing Bars, 2'6" Long @ 45° Each Corner of Lid or Pit Opening.
- ② Removable ALuminum Ladder Within Pit.
- ③ Lid In Top Slab To Be Centered Over Meter(S). Lids Shown Are For Non-Traffic Area Locations.

Lids Within Traffic Areas Shall Be Guarded With Approved Post Surrounding The Pit Or Lid, Or The Lid Shall Be Adequate To Support The Imposed Weight And Be Operated By A Single Person As Approved By K.C.W.D. #1.



Pits which drain to a storm sewer system will require a variance from Division of Water

REVISION	BY	DATE
	MEGA	10/14/20
N. KY. WATER DISTRICT		
TYPICAL PIT DETAIL		
DRAWN BY: SAR		
APPROVED: <i>[Signature]</i>		
DATE: 2/1/2021		
STANDARD DRAWING NO: 202		