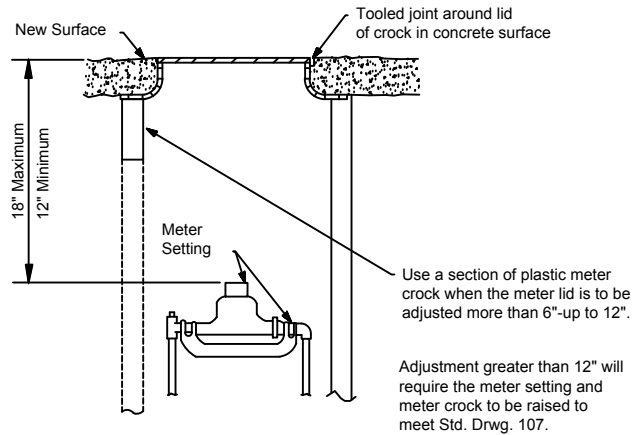


Note: Meter lid shall be flush with the top of the concrete surface. The concrete surface shall be tapered to provide a smooth transition to the meter lid. A tooled joint shall be formed around the meter lid.

NOTE: SERVICES INSTALLED IN CONCRETE AREAS, NOT SUBJECT TO VEHICLE TRAFFIC, A FORD TYPE A32, OR APPROVED EQUAL, LID AND RING SHALL BE USED. AREAS SUBJECT TO VEHICLE TRAFFIC, A FORD TYPE A32HH, OR APPROVED EQUAL, LID AND RING SHALL BE USED.



PLASTIC (PVC) METER CROCKS shall be raised by use of an adapter with a section of plastic crock cut to achieve final grade.

At no time shall wood be used to adjust the ring and lid to grade.

Meter ring and lids shall be reset solidly and shall have no broken edge to allow dirt to enter the crock.

If the meter box is damaged beyond repair it shall be replaced. See Standard Drawing 107.

RAISING CURB STOPS OR VALVE BOXES:

Curb stop boxes and valve boxes shall be raised by turning the upper section to meet grade. If the upper section cannot be raised in this manner it shall be carefully broken off and replaced.

New upper sections shall be supplied by NKWD

REVISION		BY	DATE

N. KY. WATER DISTRICT	
ADJUSTING RING & LID TO GRADE	
DRAWN BY:	SAR
APPROVED:	<i>[Signature]</i>
DATE:	2/1/2021
STANDARD DRAWING NO.:	112