

SECTION A-A

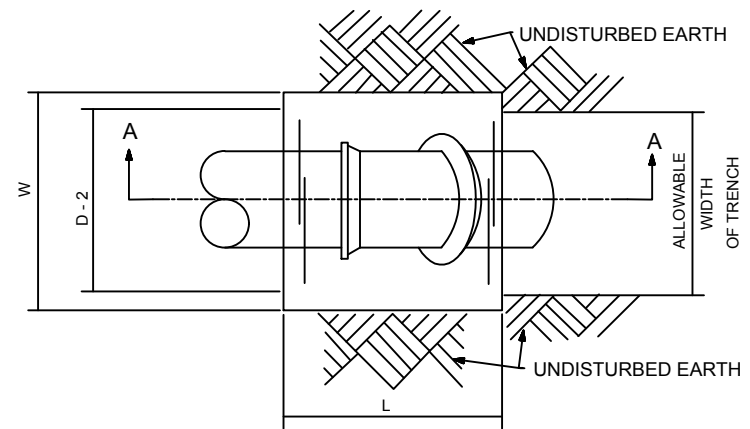
CONCRETE BACKING FOR VERTICAL BENDS

1. BACKING DESIGNED FOR 3000 POUNDS PER SQUARE FOOT SOIL BEARING AND 150 POUNDS PER SQUARE INCH INTERNAL PRESSURE.
2. PROVIDE MINIMUM CONCRETE REINFORCEMENT OF 2 PAIR OF TWO 5" "U" BARS @ 12" C.
3. CENTER BACKING ON BEND.

BLOCKING FOR SIZES NOT SHOWN SHALL USE THE NEXT LARGER SIZE.

SIZE of PIPE	DEGREE OF BEND			
	11.25			
	L"	W"	H"	VOL.
24"	50	84	84	204.2
30"	60	96	96	320.0

NOTE: VOLUMES GIVEN IN CUBIC FEET



PLAN

REVISION	BY	DATE
N. KY. WATER DISTRICT		
CONCRETE THRUST BLOCKING		
FOR VERTICAL BENDS		
DRAWN BY: SAR		
APPROVED: <i>AKK</i>		
DATE: 2/1/2021		
STANDARD DRAWING NO: 104-M1		