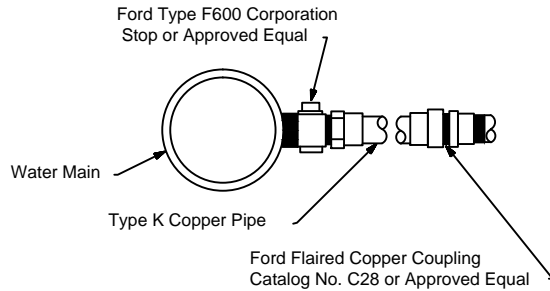
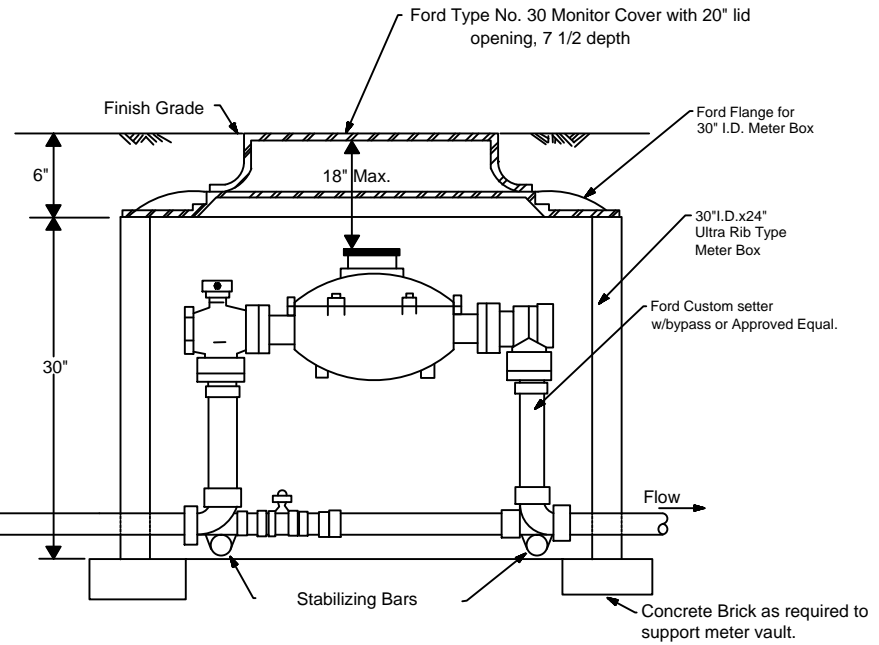
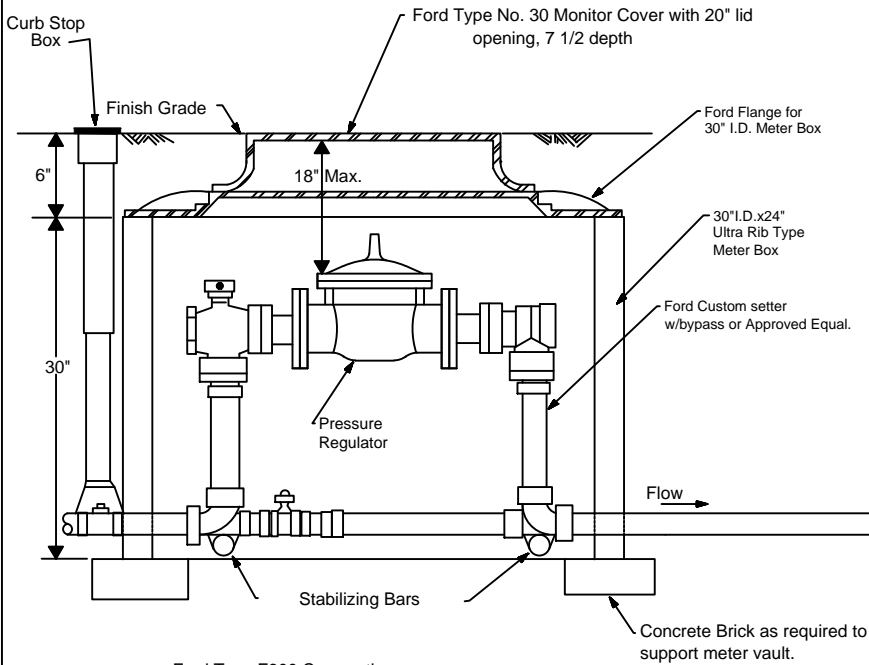


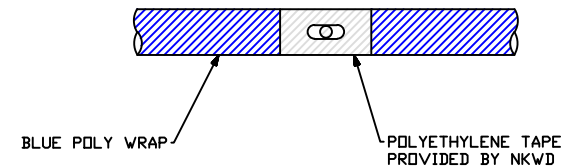
Note: Services to be removed & abandoned are to be disconnected at corporation stop. Cap corporation stop if required to prevent leaks or replace stop.
 For relocating existing services provide extension from lead on main to new meter setting location.

Note: If service is installed in sidewalk or pavement area, a heavy duty lid shall be installed.



Notes: PVC Mains - use single band brass saddle Ford Type 101BS or equal.
 D.I.P. Mains 8" or smaller use a double strap brass tapping saddle Ford Type 202B or equal.

ONLY FOR D.I. PIPE



REVISION	BY	DATE

N. KY. WATER DISTRICT
 1-1/2" & 2" METER SETTING
 REQUIRING PRESSURE REGULATOR

DRAWN BY: SAR

APPROVED: *RH*

DATE: 8/5/2014

STANDARD DRAWING NO:

108-A