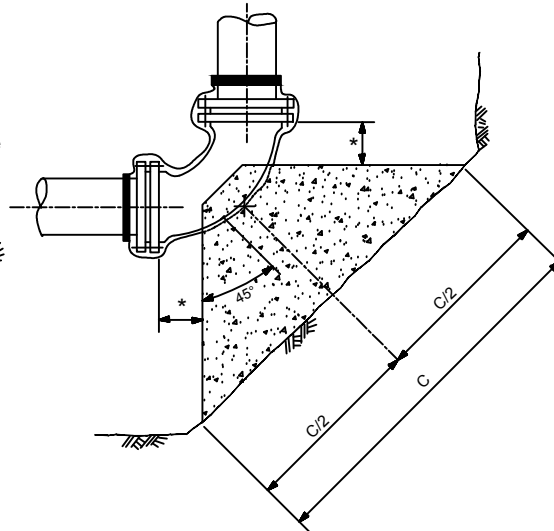
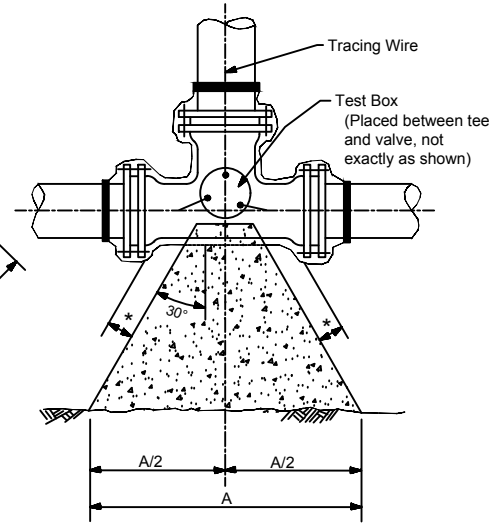


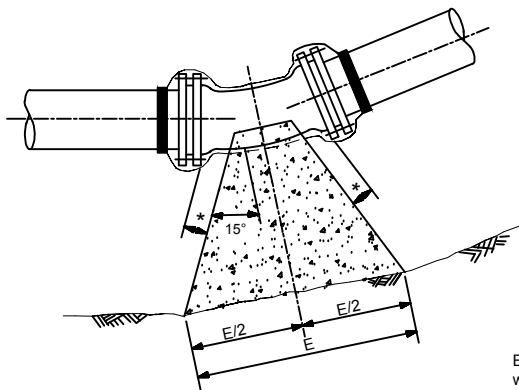
45° BEND



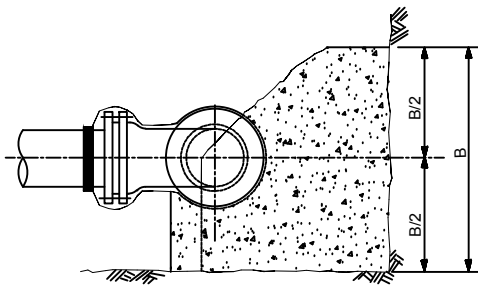
90° BEND



TEE (DEAD END OR FIRE HYDRANT SIMILAP)



11 1/4° & 22 1/2° BEND



ELEVATION

Blocking shall be poured after blue polyethelene wrap is in place.  
Blocking shall be inspected by the District prior to backfilling.

**150 PSI/250 PSI**

PIPE SIZE	A	B	C	D	E
6"	2'0"/2'6"	1'6"/1'6"	3'0"/3'6"	1'6"/2'0"	1'0"/1'0"
8"	2'6"/3'6"	2'0"/2'0"	3'6"/4'6"	2'0"/2'6"	1'0"/1'6"
10"	3'6"/4'0"	2'6"/2'6"	4'6"/5'6"	2'6"/3'0"	1'6"/1'6"
12"	4'0"/5'0"	3'0"/3'0"	5'6"/6'6"	3'0"/3'6"	1'6"/2'0"
16"	5'0"/6'0"	3'0"/4'0"	7'0"/8'6"	4'0"/4'6"	3'0"/3'0"
20"	6'0"/7'6"	5'0"/5'0"	7'0"/10'6"	4'0"/6'0"	3'0"/3'0"

\* Distance to be 1/2" longer than entire length of the bolt used.

**NOTES**

- 1 DIP Fittings shall be per specifications.
- 2 Concrete to be 3500 psi.
- 3 All fittings to be Mechanical Joint.
- 4 Thrust blocks to be placed against undisturbed earth - use additional concrete as required for over excavation.
- 5 Blocking to be placed in a manner so that bolts can be removed without disturbing the block.
- 6 Thrust block bearing surface must be suitable for a design bearing pressure of 2,500 psi.

REVISION		BY		DATE	
N. KY. WATER DISTRICT	CONCRETE THRUST BLOCK DETAIL				
DRAWN BY: SAR					
APPROVED:					
DATE: 2/1/2021					
STANDARD DRAWING NO: 104					