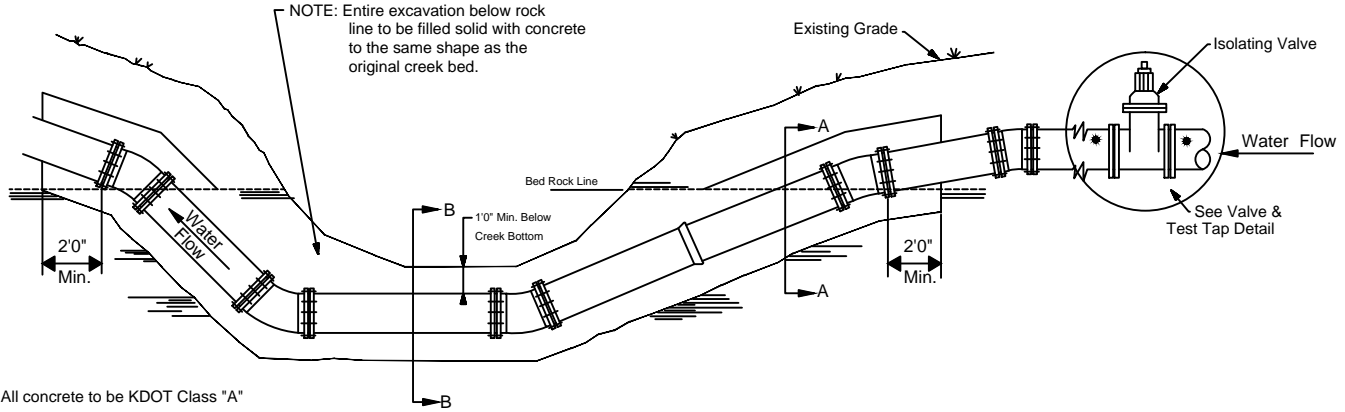
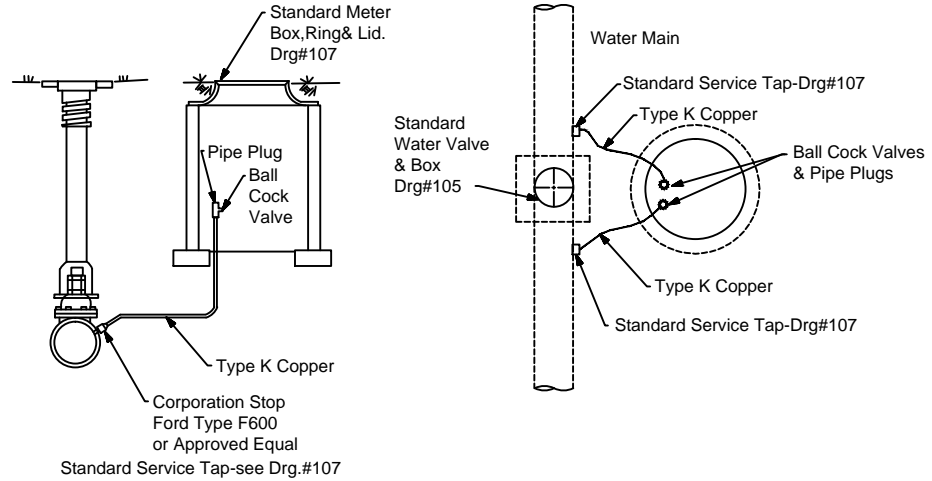
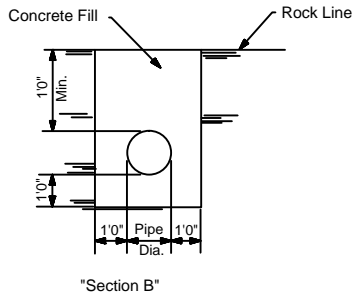
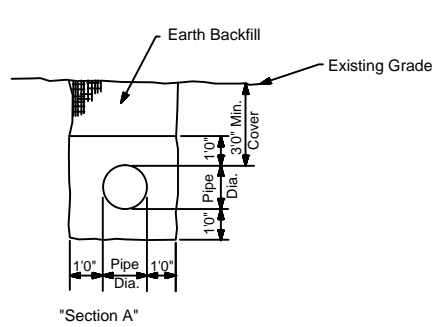


NOTE: Isolating Valve same as other side crossing.
No test taps on this side.



NOTE: All concrete to be KDOT Class "A"



VALVE & TEST TAP DETAIL

Valve shall be installed in areas not subject to flooding
No services will be tapped between the isolating valve
on the creek crossings.

REVISION	BY	DATE

N. KY. WATER DISTRICT
CONCRETE ENCASUREMENT AT
CREEK CROSSING

DRAWN BY:
SAR

APPROVED:
RH

DATE:
8/5/2014

STANDARD
DRAWING NO:
110